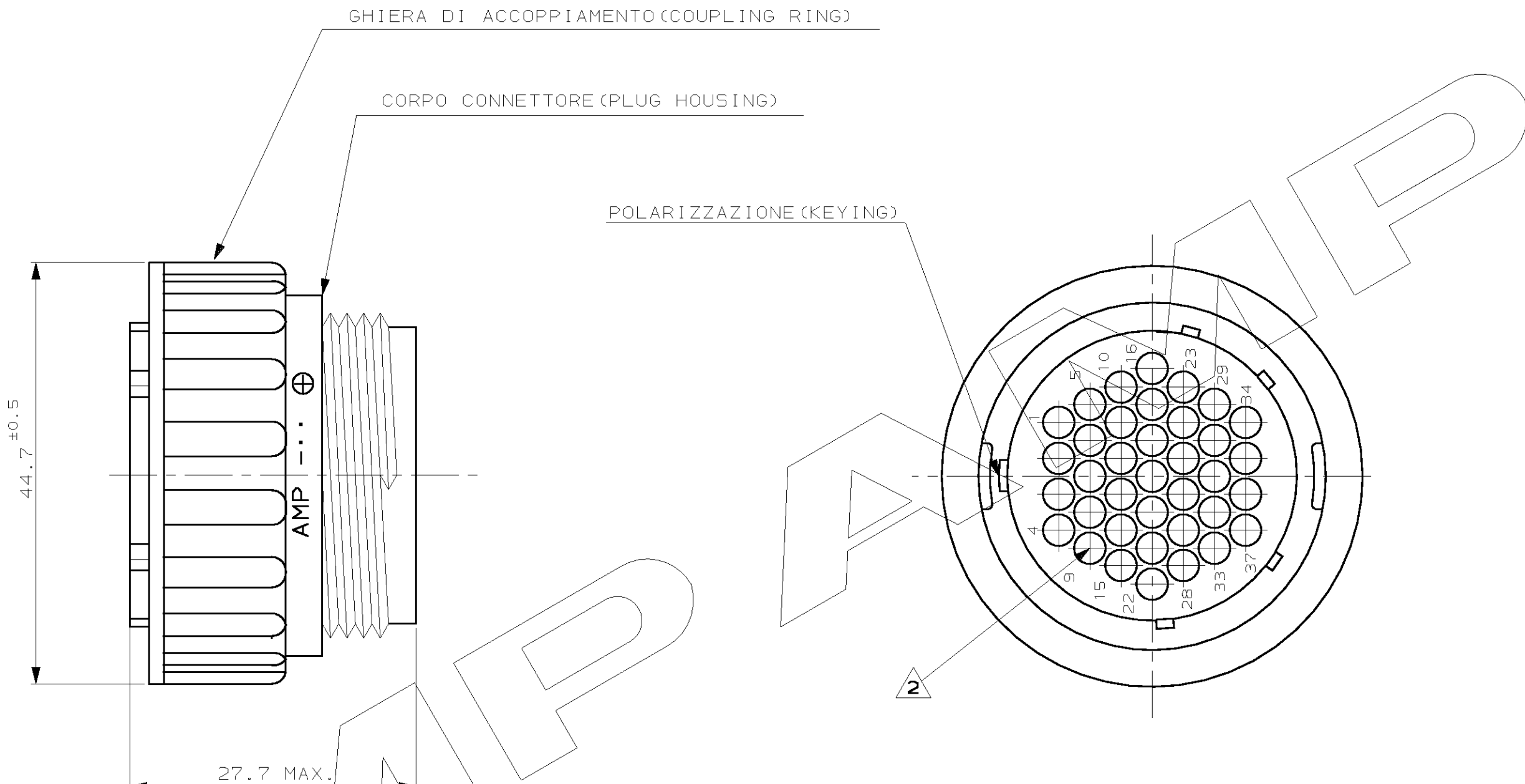


A
B
C
D
E
F



NOTE (NOTES)

1. MATERIALE (MATL.): TERMOPLASTICO COLORE NERO (THERMOPLASTIC, BLACK COLOR).
2. OGNI CAVITA' E IDENTIFICATA DAL NUMERO POSTO SIA SUL FRONTE CHE SUL RETRO DEL CONNETTORE. (CONTACT CAVITIES IDENTIFIED BY CHARACTERS) (ON FRONT AND REAR FACES OF CONNECTOR.)
3. QUESTO CONNETTORE E' APPROVATO CON FILE N.E28476 E CERTIFICATO CON FILE N.LR7189A-259 (THIS CONNECTOR IS RECOGNIZED BY FILE N.E28476 AND CERTIFIED BY FILE N.LR7189A-259)

IL DISEGNO INDICA IL P.N. 182923-1
 (P.N. 182923-1 AS SHOWN)

| | | | | | | |
|------------------|--|-----------|--|-------------------------------|--|--|
| | | | CUSTOMER DRAWING FOR REFERENCE ONLY | | DISEGNO PER CLIENTE SOLO PER RIFERIMENTO | |
| | | | THIS DRAWING IS UNPUBLISHED | | RELEASE FOR PUBLICATION 1991 | |
| | | | © COPYRIGHT 19 BY AMP INCORPORATED, HARRISBURG, PA. ALL INTERNATIONAL RIGHT RESERVED. AMP PRODUCTS MAY BE COVERED BY U.S. AND FOREIGN PATENT AND/OR PATENT PENDING | | | |
| | | | TOLLERANZE: SE NON DIVERSAMENTE SPECIFICATO (TOLERANCES: UNLESS OTHERWISE SPECIFIED) | | DIAM. ISOLANTE (INS. DIA. RANGE) | |
| | | | ± 0.3 | | RANGO FILO (WIRE RANGE) | |
| | | | ANGOLI (ANGLES) | | SCALA (SCALE) | |
| | | | ± 2° | | AMP AMP ITALIA Sp.A. Corso F.Lli Cervi, 15 COLLEGNO (TORINO) | |
| C2 | UPDATED PRODUCT DESCRIPTION FOR ET00-0182-02 | D.C. | 29NOV 2002 | DIS. 22 JUNE 91 C.CORDOLA | | DESCRIZIONE (DESCRIPTION) C.P.C. PLUG ASS'Y FOR SOCKET CONTACTS, SIZE 23-37, STD. SEX |
| C1 | REVISED ET00-0123-99 | G.S. | 01-06 99 | CONT.05-MAY 1993 C.MARTINS | | |
| C | REVISED PER ECN-13230 | C.C. | 05-93 | | | LOC. SIZE NUMERO (DWG NO) |
| B | REVISED CAVITY ID.N° POSITION ECN-13205 | C.C. | 01-93 | | | REV. FOGLIO (SHEET) |
| A | RELEASED | C.C. | 10-91 | | | 1 01 1 |
| REV. (REV. LTR.) | REVISIONI (REVISION RECORD) | DIS. (DR) | DATA (DATE) | APP. (APP.) | | I A3 C - 182923 C2 |

DISTRIBUZIONE (PRINT DIST.)

1 2 3 4 5 6 7 8